



**Westbo of Sweden**

---

- Westbo of Sweden -

# Westbo Classic

---

With its stylish and elegant appearance, the Westbo Classic has its roots in the 19th century. The first of its predecessors was manufactured in Bornholm, around 1890. The stove became well-known and popular due to the efficiency and form, and it could be found all over Sweden at that time.

Our remake surprises the user with a modern interior. The product offers the highest levels of comfort thanks to its efficient thermal output and environmentally friendly combustion. A massive cast iron core stores the heat of the Westbo Classic and a steel sheath surrounds the core. In addition to the cast iron core, we offer a heat storage of olivine stone. This construction with convection gives quick distribution of heat in a room.

The Westbo Classic is made of cast iron and provides you with a royal feeling.



---

- Westbo of Sweden -

# Westbo Classic variations

---

Create your own Westbo Classic. You can choose from many additional parts and different colours and combine it with your ideal accessories. Choose between:

- Two different heights: 2.06 m or 1.96 m.
- With or without a crown.
- Black-painted or with enamelled sheath in off-white, matt black, vermont blue, royal green or wine red.
- Decorated stove door or simply a glass panel without ornaments.
- Polished details.
- Emblem with the classic animal of Småland, the lion.

Make the Classic your very own stove.







---

- Westbo of Sweden -

# Westbo Victoria

---

The Westbo Victoria series is made of cast iron and accented with beautiful Art Nouveau ornaments. The decor and the traditional styling combined with a large viewing window with extension to the sides gives a stunning wide-angle view of the flames. The stoves make a unique feature in any room and are both beautiful and practical. All Westbo Victoria models hides a cooking plate for heating casseroles or boiling a kettle. The stove can be connected to external combustion air.

The Westbo Victoria series carries on a rich tradition of cast iron stoves manufactured in Sweden.





---

- Westbo of Sweden -

# Westbo Victoria variations

---

The Westbo Victoria stoves are available in five different versions. They differ in height and therefore also in the heat output.

Victoria 240 - Our newest stove with a heat-retaining compartment with a hotplate.

Victoria 125 - the largest and heaviest stove in the Victoria family.

Victoria 100 - the small compact.

Victoria 85 - with two different widths.

All models could be connected with an adapter for back/top connection.

All models are available with or without side windows, the Westbo Victoria 240 only without side glasses.

We produce the stoves according to your wishes.



Westbo Victoria 240

Westbo Victoria 125

Westbo Victoria 100

Westbo Victoria 85

Westbo Victoria 85L

---

- Westbo of Sweden -

# Westbo Victoria 240

---

The newest member of our family is Westbo Victoria 240 (also called Westbo Estelle).

The stove is traditional designed and has a heat retaining compartment, perfect for nice evenings in wintertime with a nice cup of tea or some gluhwein. You can optionally order a heating magazine.

The stove is made of cast iron and accented with beautiful Art Nouveau ornaments and hides a cooking plate for heating casseroles or heating an apple pie.





---

- Westbo of Sweden -

# Westbo Carl

---

The Westbo Carl is a traditional Swedish cast iron stove. In the past the stove was used in different places from small rooms to workplaces with a wide range and the need for warmth. The Westbo Carl combines traditional design and modern heating techniques with phenomenal results. The products could be purchased with an adapter for back/top connection.

Westbo Carl is available in two sizes, Westbo Carl 95 and Westbo Carl 120. Both with cooking plate.



---

- Westbo of Sweden -

# Westbo WeRa

---

Our Westbo WeRa is a real energy saver. The stove is a rustic eye-catcher due to its simple design but with high performance. The Westbo WeRa has a stable body of cast iron and thick quality fire bricks in the combustion chamber, which guarantees efficient and environmentally friendly combustion. This stove has great heat and cooking performance and is available with or without a glass door.



Westbo WeRa







---

- Westbo of Sweden -

# Westbo Nobel

---

Straight lines and a minimalistic design shapes the Nobel, all inspired from Scandinavia.

From three sides of the stove, you get a great view of the fire. The stove can be connected both top and rear to the chimney. The Nobel is equipped with a cooking plate on top and the stove it is just stylish, simple, and practical.

Westbo Nobel



---

- Westbo of Sweden -

# Westbo Standard/ Ornament

---

A traditional cast iron stove in classic Swedish design.

This stove could be found in every Swedish kitchen in the past - and still is. This stove is also an extra heating source and a nostalgic centrepiece for every kitchen. It is also an additional appliance for cooking and baking.

The Westbo Standard is available in four different appearances, ornament or standard or with/without glass door.

The following accessories are available:

- An optional window in the furnace door provides a view on the fire.
- The stove can be built in as well as freestanding on a cast iron tripod.
- Copper kettle.

Westbo Standard  
(with or without glass door)



Westbo Ornament  
(with or without glass door)





---

- Westbo of Sweden -

# Westbo Ankarsrum/ Westbo 30

---

The Westbo Ankarsrum/Westbo 30 is with the robust look perfect in any kitchen and measures only 30 cm in width. It comes with a cooking plate and is a comforting source of additional heat in the house. Powerful, efficient, and slim, based on the traditional Scandinavian side stove, the Westbo Ankarsrum/Westbo 30 is a perfect heat source in the kitchen.

The stove is available in two variants, Westbo Ankarsrum with ornaments and Westbo 30, a variant without ornaments.

Westbo Ankarsrum





---

- Accessories -

## Westbo Candle holder

---

The cast iron candle holders are suitable  
for both tealights and candles.

---

- Accessories -

## Westbo Star

---

The cast iron star can be used both  
as a candle holder or as a bowl.





---

- Accessories -

## Westbo Doormats

---

The cast iron doormats are available in two forms, the square, and the semi-circular variant.

---

- Accessories -

## Westbo Railway lamp

---

The railroad workers used the lamp while building railways throughout Sweden in the past. The product has a height of 20 cm.





---

- Accessories -

## Westbo Tea pot, 0,7 l

---

The Westbo tea pot is made of cast iron and enamelled on the inside. A tea strainer made of stainless steel is included, which makes tea drinking easier.

---

- Accessories -

## Westbo Rondo

---

Westbo Rondo is a new product that could be used for multiple purposes. It could either be used as a fire bowl, a patio heater, grill or flowerpot.







---

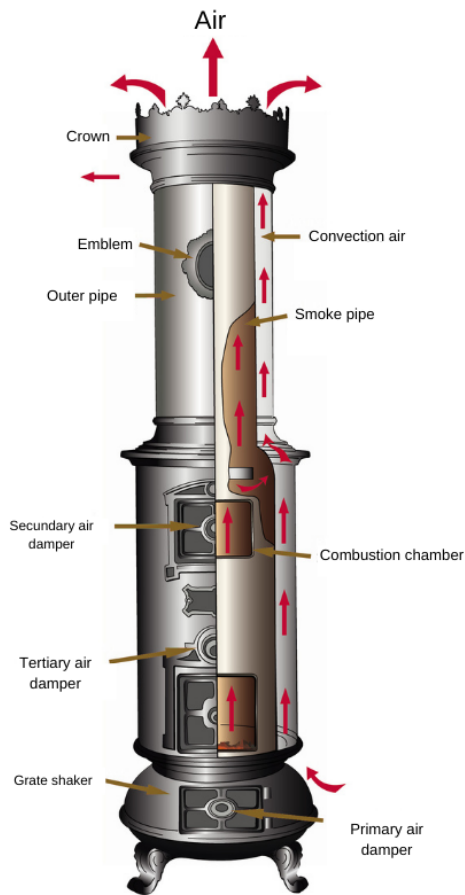
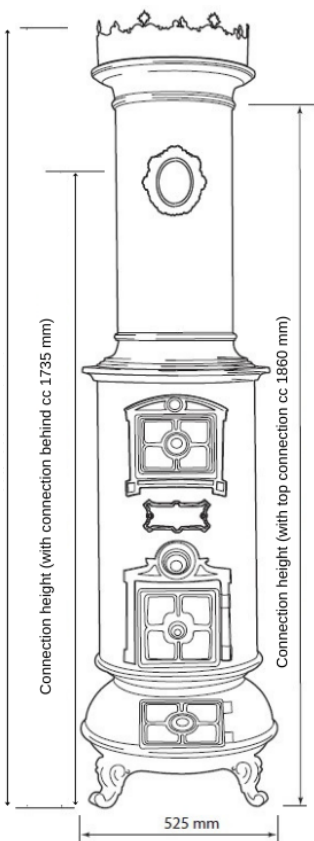
# SWEDEN

**Four different seasons**

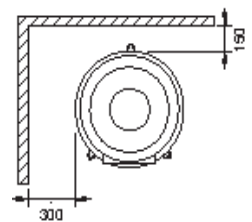
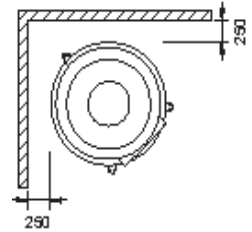
---



# Westbo Classic

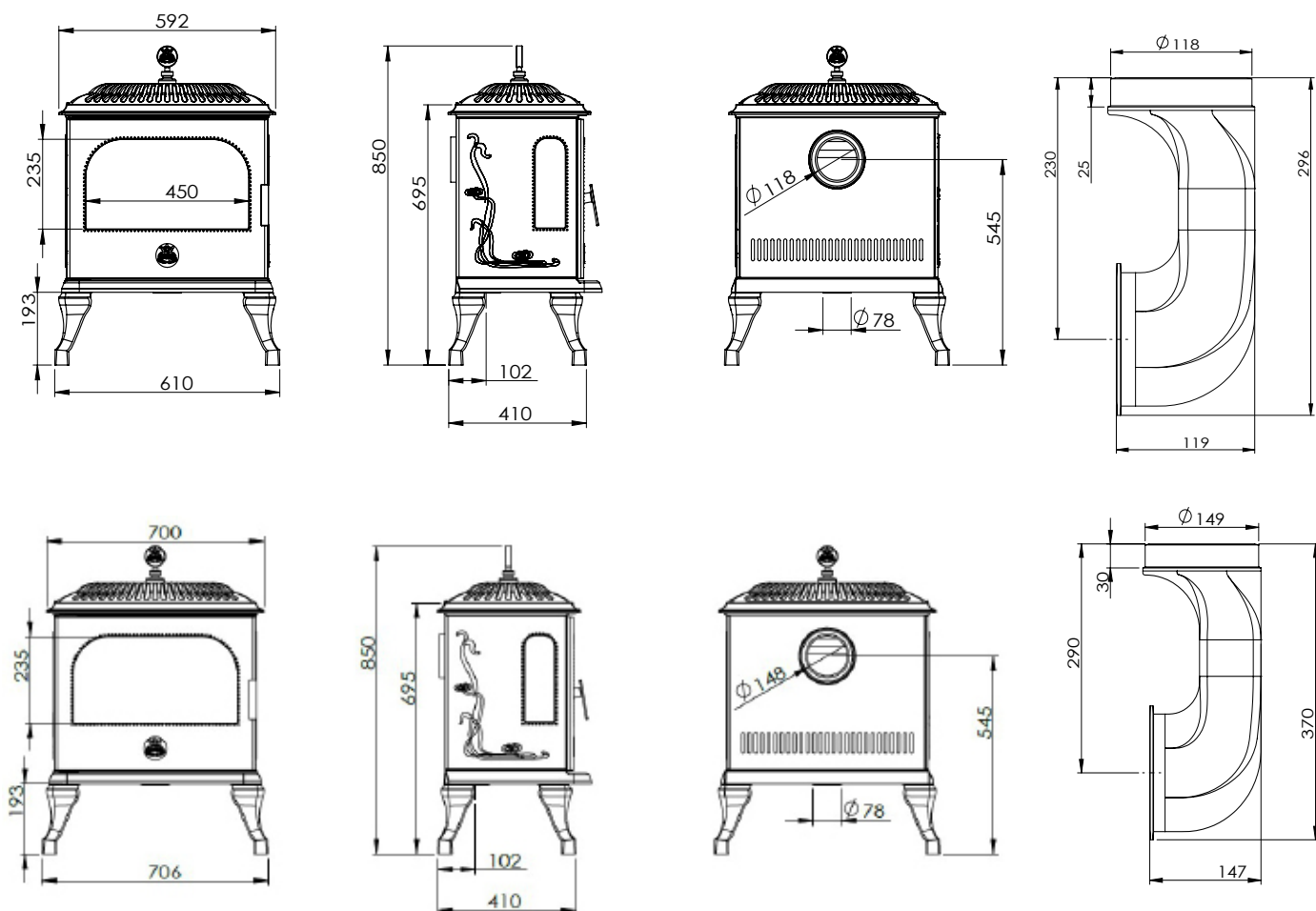


Distance to combustible components



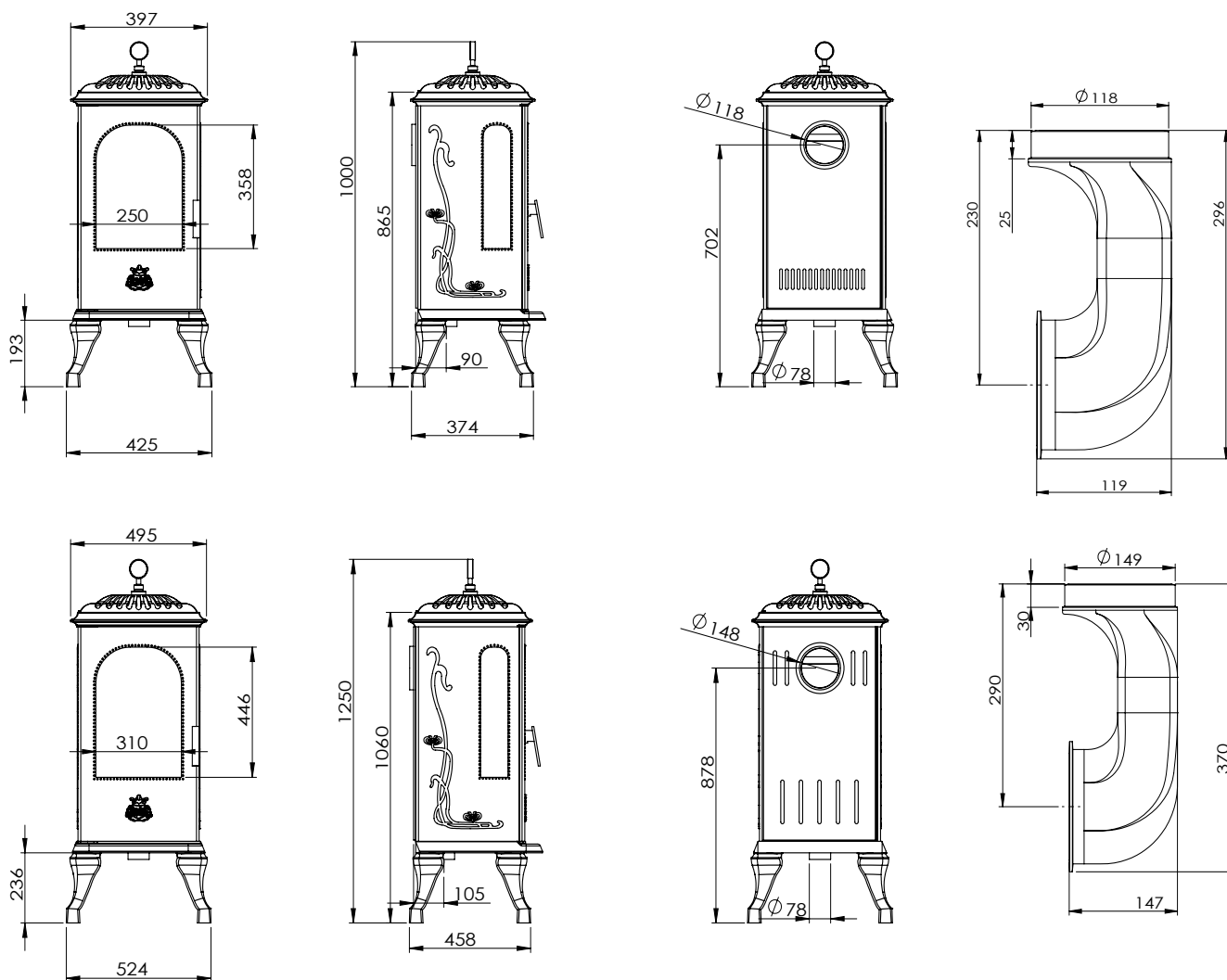
	<b>Westbo Classic</b>
Nominal heat output	W 7,0 kW
Efficiency	81 %
Particles	31 mg/m <sup>3</sup>
Flue gas temp	281 °C
Flue gas mass flow	5,92 g/s
Mean flue draught	12 pa
Weight	245 kg
Connections	Ø 130 mm
Connections	Top and rear
Fuel	Wood
Log length	33 cm
Extras	Colours, black painted or enamelled, heat storage: 35 kg livine stone
	Connection: adjustable angle rear

# Westbo Victoria 85/85L



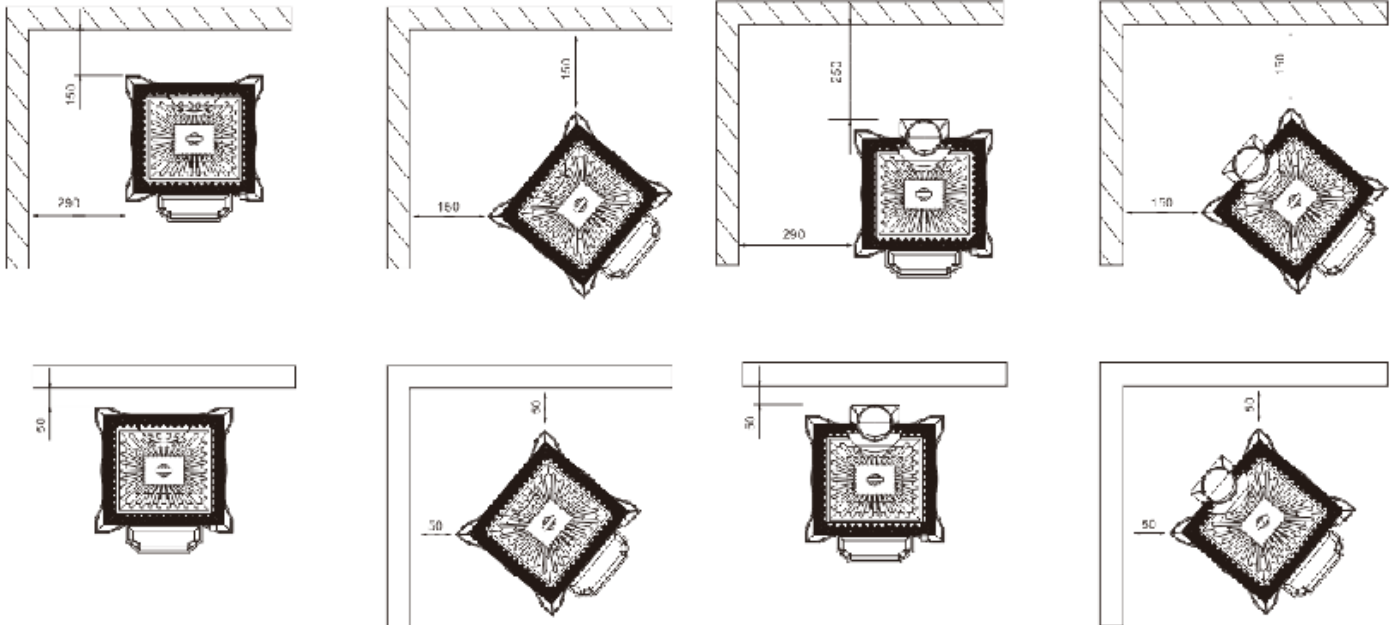
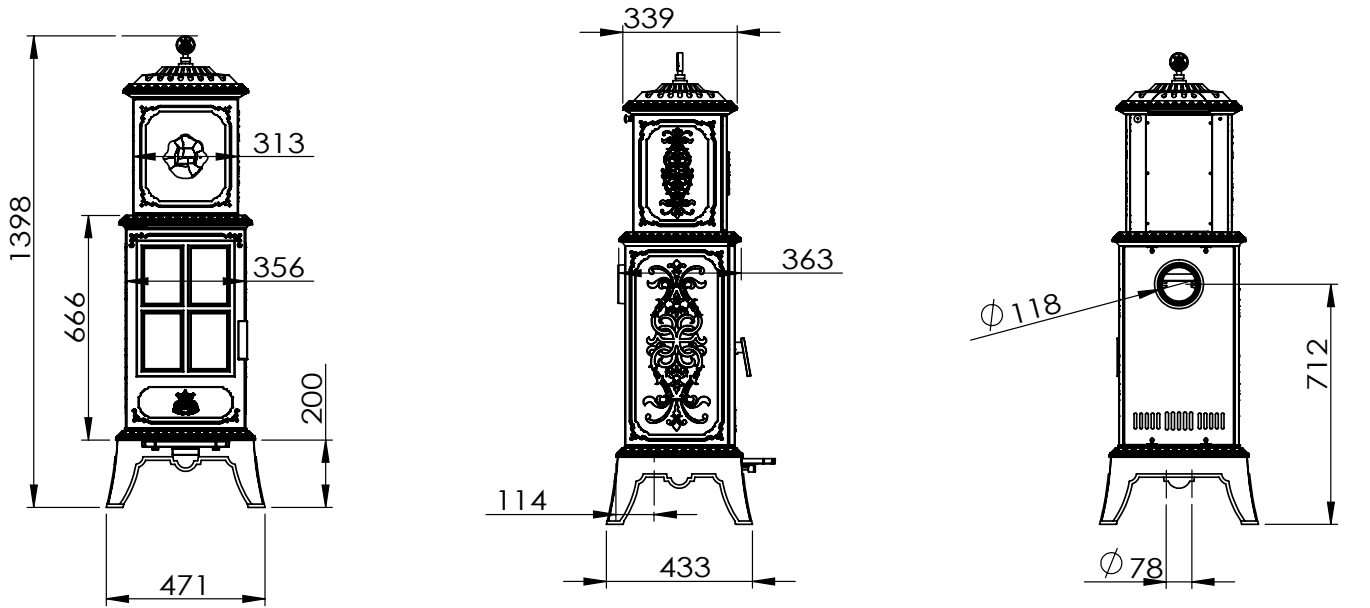
	<b>Westbo Victoria 85</b>	<b>Westbo Victoria 85L</b>
Nominal heat output	5,5 kW	6,0 kW
Efficiency	75 %	80%
Particles	34 mg/m <sup>3</sup>	38 mg/m <sup>3</sup>
Flue gas temp	254 °C	227 °C
Flue gas mass flow	7,4 g/s	6,8 g/s
Mean flue draught	12 pa	12 pa
Weight	115 kg	135 kg
Connections	Ø 120 mm	Ø 150 mm
Connections	Back (top option)	Back (top option)
Fuel	Wood	Wood
Log length	40 cm	50 cm
Extras	Adapter for top connection	Adapter for top connection
Distance to combustible components	Rear 10 cm/Side 40 cm	Rear 12 cm/Side 45 cm

# Westbo Victoria 100/125

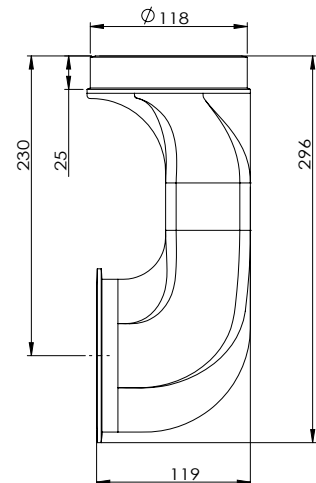


	<b>Westbo Victoria 100</b>	<b>Westbo Victoria 125</b>
Nominal heat output	4,6 kW	6,0 kW
Efficiency	82 %	82%
Particles	19 mg/m <sup>3</sup>	25 mg/m <sup>3</sup>
Flue gas temp	243 °C	264 °C
Flue gas mass flow	4,5 g/s	5,2 g/s
Mean flue draught	12 pa	12 pa
Weight	100 kg	175 kg
Connections	Ø 120 mm	Ø 150 mm
Connections	Back (top option)	Back (top option)
Fuel	Wood	Wood
Log length	33 cm	37 cm
Extras/optional	Adapter for top connection	Adapter for top connection
Distance to combusible components	Rear 15 cm/side 45 cm	Rear 12 cm/side 63 cm
	Side without glass 25 cm	Side without glass 45 cm

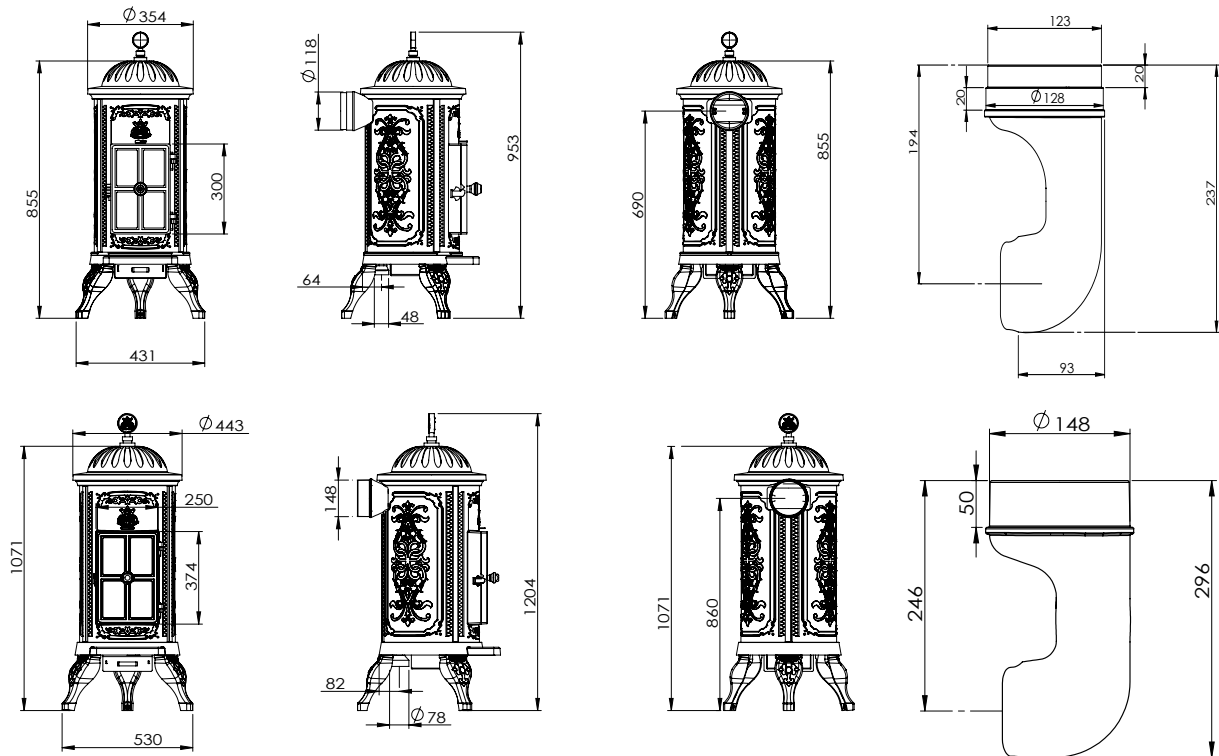
# Westbo Victoria 240



	<b>Westbo Victoria 240</b>
Nominal heat output	4,6 kW
Efficiency	82 %
Particles	19 mg/m <sup>3</sup>
Flue gas temp	243 °C
Flue gas mass flow	4,5 g/s
Mean flue draught	12 pa
Weight	140 kg
Connections	Ø 120 mm
Connections	Back (top option)
Fuel	Wood
Log length	33 cm

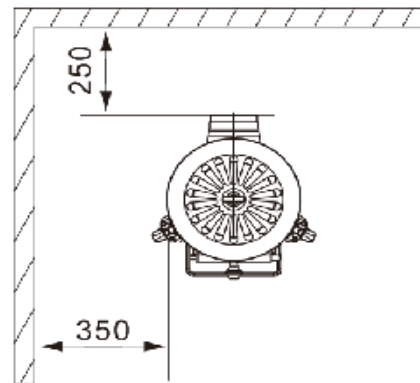
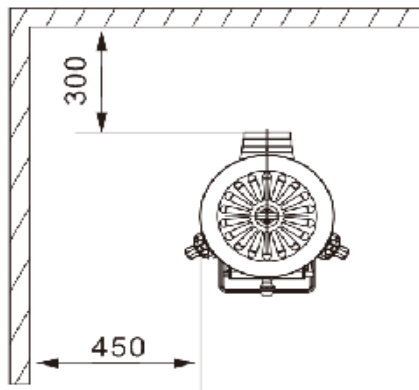


# Westbo Carl 95/120



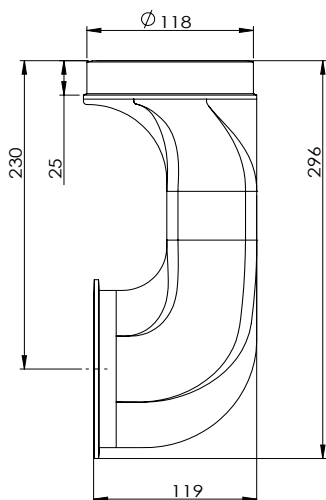
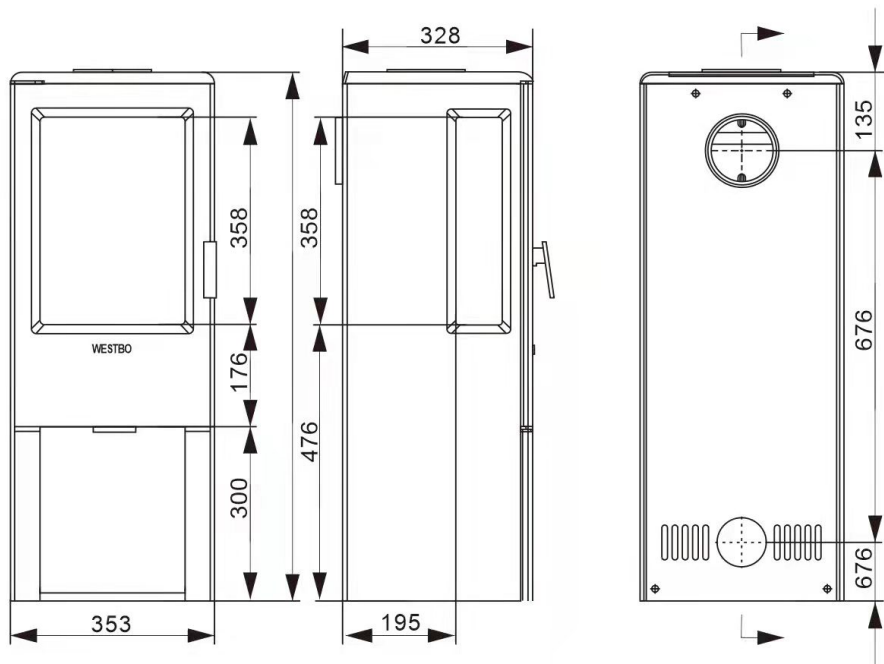
Carl 95

Carl 120



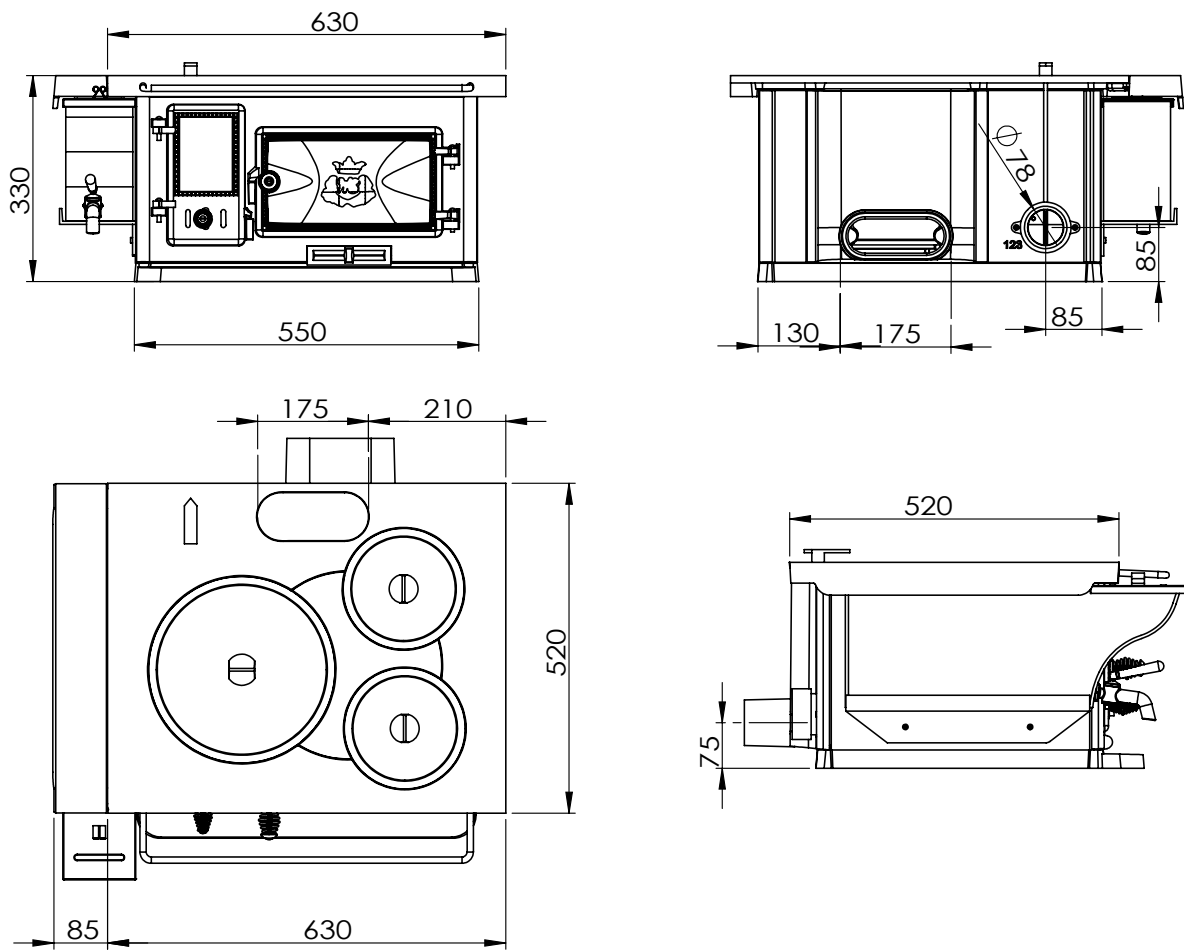
	Westbo Carl 95	Westbo Carl 120
Nominal heat output	4,0 kW	5,7 kW
Efficiency	82 %	83%
Particles	35 mg/m <sup>3</sup>	58 mg/m <sup>3</sup>
Flue gas temp	273 °C	206 °C
Flue gas mass flow	7,4 g/s	5,7 g/s
Mean flue draught	12 pa	12 pa
Weight	70 kg	135 kg
Connections	Ø 120 mm	Ø 150 mm
Connections	Back	Back
Fuel	Wood	Wood
Log length	33 cm	40 cm
Extras/Optional	Adapter for top connection	Adapter for top connection
Distance to combustible components	Rear 30 cm/side 45 cm	Rear 25 cm/side 35 cm

# Westbo Nobel



	<b>Westbo Nobel</b>
Nominal heat output	4,6 kW
Efficiency	82 %
Particles	19 mg/m <sup>3</sup>
Flue gas temp	243 °C
Flue gas mass flow	4,5 g/s
Mean flue draught	12 pa
Weight	100 kg
Connections	$\varnothing 120$ mm
Connections	Back/top
Fuel	Wood
Log length	33 cm
Extras	Adapter for top connection
Distance to combustible components	Rear 15 cm/side 45 cm

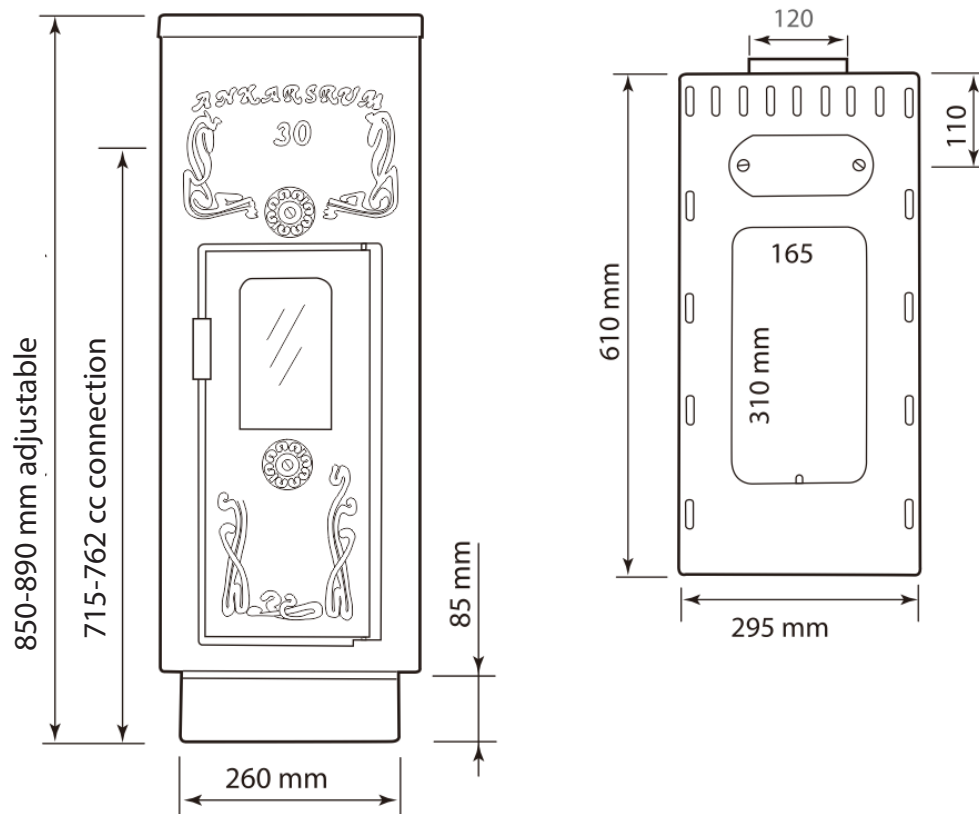
# Westbo Standard/Ornament



	<b>Westbo Standard/Ornament</b>
Nominal heat output	4,6kW
Efficiency	85 %
Particles	22 mg/m <sup>3</sup>
Flue gas temp	200 °C
Flue gas mass flow	4,6 g/s
Mean flue draught	12 pa
Weight	120 kg
Connections	Ø 120 mm or 130 mm
Connections	Back/top
Fuel	Wood
Log length	33 cm
Extras	Tripod, copper tank, glass door, ornaments
Distance to combustible components	Rear 20 cm/side 30 cm

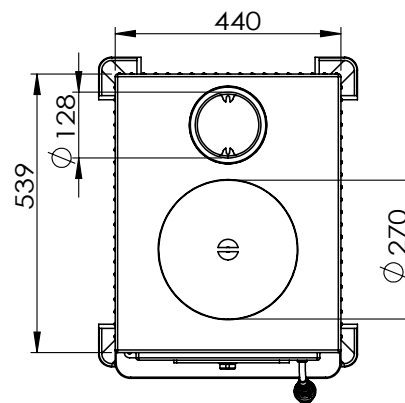
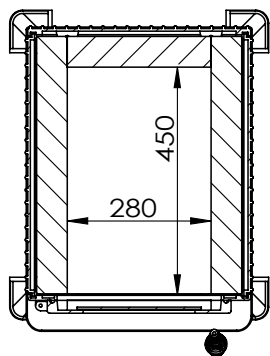
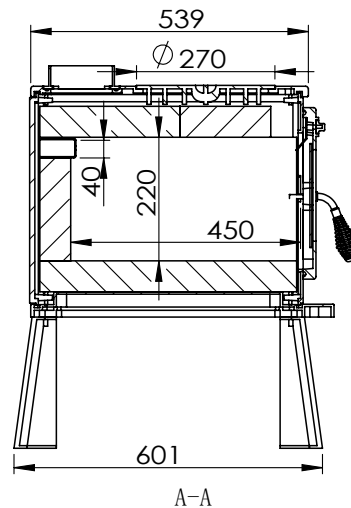
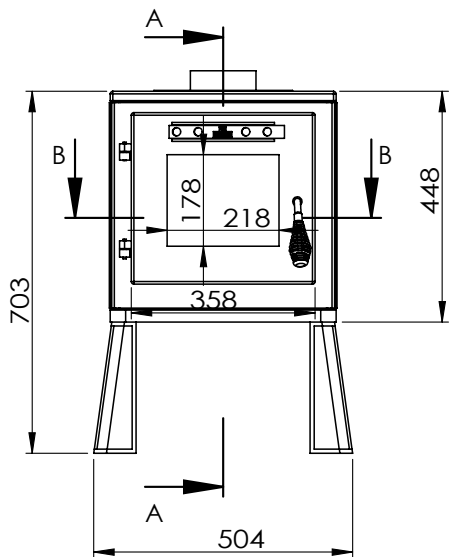


# Westbo Ankarsrum/30



	<b>Westbo Ankarsrum/30</b>
Nominal heat output	8,0kW
Efficiency	75,2 %
Particles	35 mg/m <sup>3</sup>
Flue gas temp	286 °C
Flue gas mass flow	8,8 g/s
Mean flue draught	12 pa
Weight	175 kg
Connections	Ø 120 mm
Connections	Back/top option
Fuel	Wood
Log length	40 cm
Extras	Ornaments or plain
Distance to combustible components	Rear 10 cm/side 30 cm

# Westbo WeRa



	<b>Westbo WeRa</b>	
Nominal heat output	7,0 kW	
Efficiency	80 %	
Particles	32 mg/m <sup>3</sup>	
Flue gas temp	266 °C	
Flue gas mass flow	8,0 g/s	
Mean flue draught	12 pa	
Weight	150 kg	
Connections	Ø 130 mm	
Connections	Top	
Fuel	Wood	
Log length	40 cm	
Extras/optional	Adapter for top connection	
Distance to combustible components	Rear 40 cm/side 40 cm	

# Our history



**The dream of then. Now.**

**info@westbo.net**  
**www.westbo.net**